



Olets Overview





FF is an industry leader in supplying fittings, pipes, valves, and other specialty products in a large variety of materials, including a wide variety of Olets.

We are a pioneer in the development of many standard and specially designed tubular Forged Components for both standard and advance applications in Petrochemical, Refinery, Power, and Defence Applications.

The self reinforced branches we manufacture meet piping codes such as ASME B31.1, B31.3 and standard MSS SP-97 “Integrally Reinforced Forged Branch Outlet Fittings - Socket Welding, Threaded and Butt welding Ends)

We provide Outlet Fittings in various special material grades such as F5, F9, F91, Stainless Steel, Duplex Steel, Nickel

Alloys, Copper Alloys & Titanium Alloys.

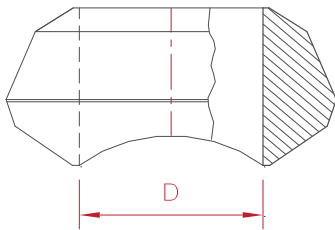
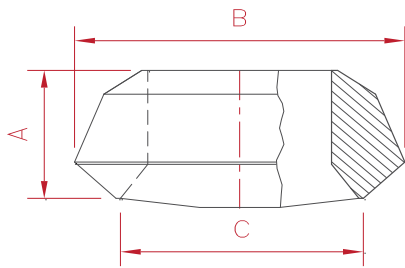
We carry out Design Proof Tests for our Outlet Fittings as per MSS SP 97 and we qualify our products through stringent quality testing such as Micro Structure Examination, Macro flow line Examination, Ultrasonic Testing, Die penetration testing, Magnetic particle testing, Inclusion rating checking, and more as applicable.





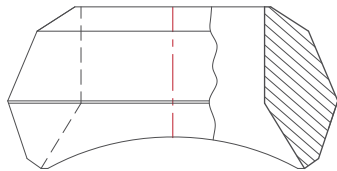
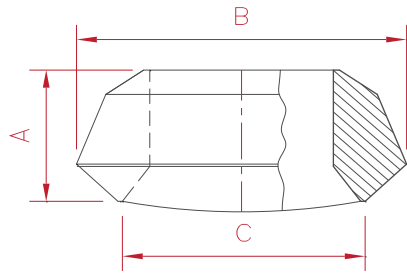
1. WELDOLET SAME SIZE - STD	UPTO 12"
2. WELDOLET RED SIZE - STD	UPTO 12"
3. WELDOLET SAME SIZE - XS,	UPTO 12"
4. WELDOLET RED. SIZE - XS	UPTO 12"
5. WELDOLET RED. SIZE SCH 160,XXS	UPTO 6"
6. WELDOLET SAME SIZE .SCH 160,XXS	UPTO 6"
7. SWEEPOLET.	UPTO 24"
8. LATROLET	UPTO 10"
9. ELBOLET	UPTO 12"
10. SOCKOLET	UPTO 6"
11. THREDOLET	UPTO 6"

Weldolet
Same Size - Std
Forged



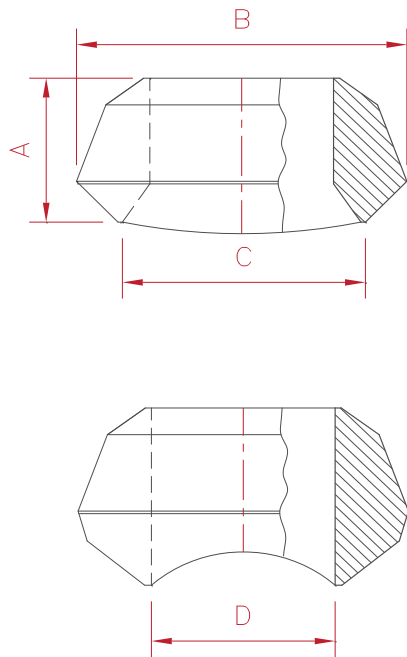
OUTLET SIZE NOM OD	DIMENSIONS				APPX. WEIGHT IN KG
MM	A MM	B MM	C MM	D MM	
21.3	19.1	34.9	23.8	15.9	0.07
26.7	22.2	41.3	30.2	20.6	0.11
33.4	27.0	50.8	36.5	26.2	0.18
42.2	31.8	60.3	44.5	34.9	0.32
48.3	33.3	73.0	50.8	41.3	0.36
60.3	38.1	88.9	65.1	52.4	0.68
73.0	41.3	103.2	76.2	61.9	1.02
88.9	44.5	122.2	93.7	77.8	1.70
101.6	50.8	136.5	98.4	90.5	2.27
114.3	50.8	152.4	120.7	101.6	3.04
141.3	57.2	181.0	141.3	128.6	3.86
168.3	60.3	215.9	169.9	154.0	6.35
219.1	69.9	263.5	220.7	201.6	12.70
273.0	77.8	319.1	274.6	254.0	17.69
323.9	85.7	377.8	325.4	304.8	29.48

Weldolet
Red. Size - Std
Forged



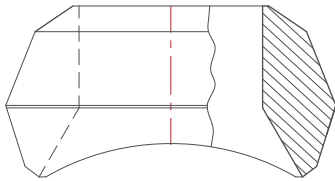
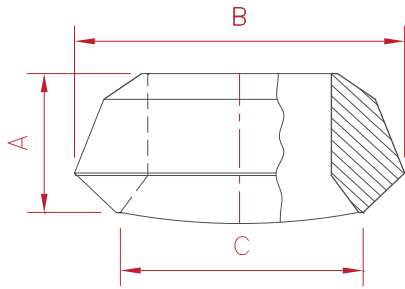
OUTLET SIZE NOM OD	DIMENSIONS			APPX. WEIGHT IN KG
	A	B	C	
MM	MM	MM	MM	
10.3	15.9	25.4	15.9	0.05
13.7	15.9	25.4	15.9	0.05
17.1	19.1	31.8	19.1	0.07
21.3	19.1	34.9	23.8	0.09
26.7	22.2	44.5	30.2	0.11
33.4	27.0	54.0	36.5	0.23
42.2	31.8	65.1	44.5	0.36
48.3	33.3	73.0	50.8	0.45
60.3	38.1	88.9	65.1	0.79
73.0	41.3	103.2	76.2	1.13
88.9	44.5	122.2	93.7	1.86
101.6	47.6	142.9	101.6	2.49
114.3	50.8	152.4	120.7	2.86
141.3	57.2	179.4	141.3	4.65
168.3	60.3	215.9	169.9	5.44
219.1	69.9	263.5	220.7	10.43
273.0	77.8	322.3	274.6	16.33
323.9	85.7	377.8	325.4	26.76

Weldolet
Same Size - XS
Forged



OUTLET SIZE NOM OD	DIMENSIONS				APPX. WEIGHT IN KG
MM	A MM	B MM	C MM	D MM	
21.3	19.05	34.93	23.81	15.88	0.07
26.7	22.23	41.28	30.16	20.64	0.11
33.4	26.99	50.80	36.51	26.19	0.18
42.2	31.75	61.91	44.45	34.93	0.32
48.3	33.34	73.03	50.80	41.28	0.41
60.3	38.10	88.90	65.09	52.39	0.73
73.0	41.28	103.19	76.20	61.91	1.13
88.9	44.45	122.24	93.66	77.79	1.86
101.6	50.80	136.53	98.43	90.49	2.31
114.3	50.80	152.40	120.65	101.60	3.40
141.3	57.15	180.98	141.29	128.59	4.31
168.3	77.79	225.43	169.86	153.99	6.80
219.1	98.43	269.88	220.66	193.68	14.51
273.0	88.90	327.03	265.11	247.65	20.87
323.9	100.01	385.76	330.20	298.45	27.67

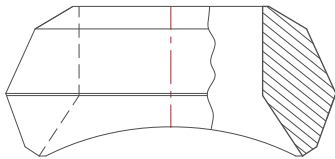
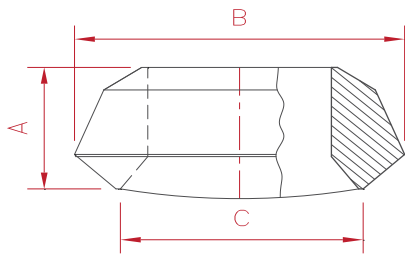
Weldolet
Red. Size - XS
Forged



OUTLET SIZE NOM OD	DIMENSIONS			APPX. WEIGHT IN KG
	A	B	C	
MM	MM	MM	MM	
10.3	15.88	25.40	15.88	0.05
13.7	15.9	25.4	15.9	0.05
17.1	19.1	31.8	19.1	0.07
21.3	19.1	34.9	23.8	0.09
26.7	22.2	44.5	30.2	0.14
33.4	27.0	54.0	36.5	0.23
42.2	31.8	65.1	44.5	0.41
48.3	33.3	73.0	50.8	0.50
60.3	38.1	88.9	65.1	0.79
73.0	41.3	103.2	76.2	1.18
88.9	44.5	122.2	93.7	1.86
101.6	47.6	136.5	101.6	2.54
114.3	50.8	152.4	120.7	2.90
141.3	57.2	179.4	141.3	4.72
168.30	77.8	225.4	169.9	10.43
219.1	98.4	292.1	220.7	16.78
273	93.66	323.9	265.1	20.87
323.9	103.19	379.4	317.5	27.67

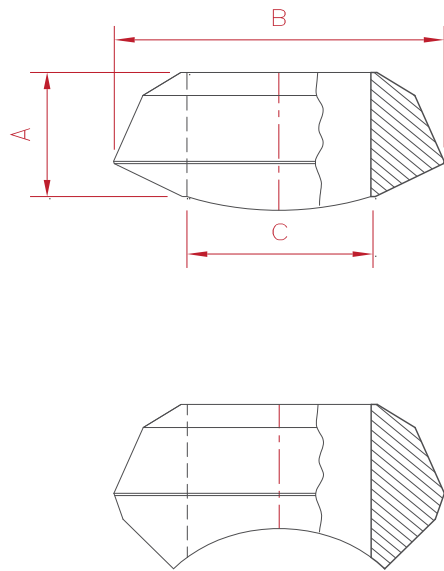
Weldolet

Red . Size Sch 160 & XXS Forged



OUTLET SIZE NOM OD	DIMENSIONS			APPX. WEIGHT IN KG
	A	B	C	
MM	MM	MM	MM	
21.30	28.58	34.93	14.29	0.11
26.70	31.75	44.45	19.05	0.32
33.4	38.10	50.80	25.40	0.39
42.20	44.45	61.91	33.34	0.57
48.30	50.80	69.85	38.10	0.79
60.30	55.56	80.96	42.86	0.98
73.00	61.91	96.84	53.98	1.54
88.90	73.03	120.65	73.03	2.86
114.30	84.14	152.40	98.43	4.76
141.30	93.66	187.33	122.24	6.46
168.3	104.78	220.66	146.05	12.70

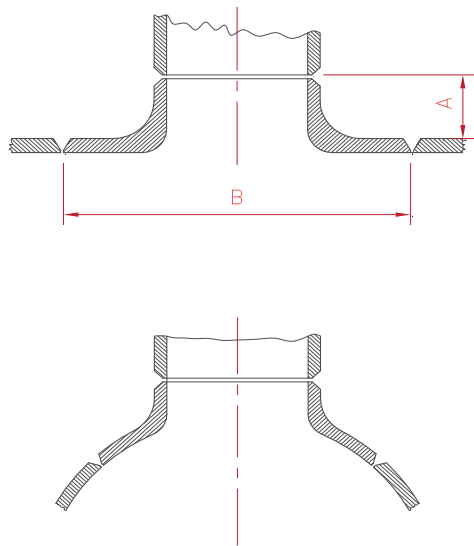
Weldolet
Same Size-Sch 160 & XXS
Forged



OUTLET SIZE NOM OD	DIMENSIONS			APPX. WEIGHT IN KG
	A	B	C	
MM	MM	MM	MM	
21.3	28.6	34.9	14.3	0.11
26.7	31.8	44.5	19.1	0.32
33.4	38.1	50.8	25.4	0.36
42.2	44.5	61.9	33.3	0.57
48.3	50.8	69.9	38.1	0.79
60.3	55.6	81.0	42.9	0.98
73.0	61.9	96.8	54.0	1.54
88.9	73.0	120.7	73.0	2.88
114.3	84.1	152.4	98.4	4.76
141.3	93.7	187.3	122.2	6.46
168.3	104.8	220.7	146.1	13.7

Sweepolet

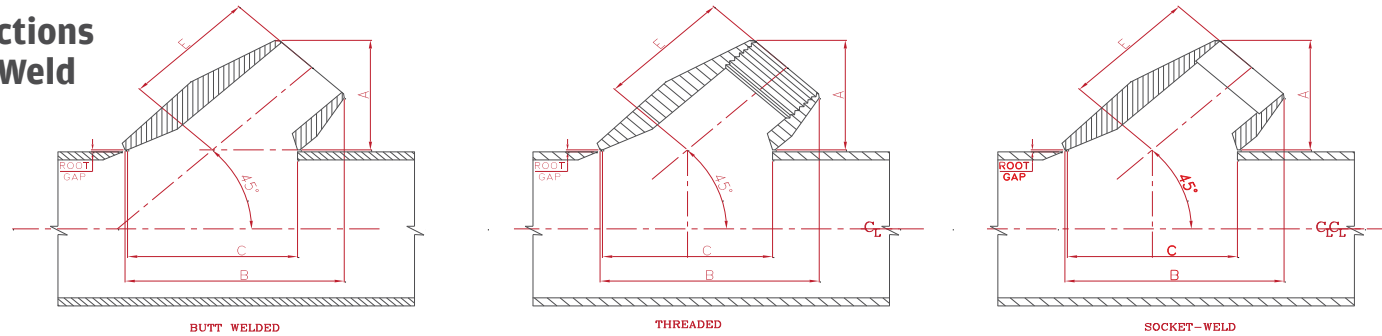
Forged



Run Size	OUTLET SIZE NOM OD	DIMENSIONS	
		A	B
Inch	MM	MM	MM
6 to 36	42.2	31.8	101.6
6 to 36	48.3	44.5	139.7
6 to 36	60.3	38.1	139.7
6 to 36	88.9	42.1	177.8
6 to 36	114.3	51.6	222.3
10 to 36	168.3	68.3	330.2
12 to 36	219.1	76.2	381.0
16 to 36	273.0	79.4	469.9
16 to 36	323.9	84.1	520.7
20 to 36	355.6	92.1	609.6
24 to 36	406.4	95.3	711.2
24 to 36	457.0	117.5	787.4
24 to 36	508.0	130.2	838.2
30 to 36	610.0	142.9	965.2

Latrolet

**45° Branch Connections
Threaded, Socket-Weld
& Butt-Weld Ends
Forged**



DIMENSIONS

NOMINAL RUN PIPE SIZE		OUTLET SIZE NOM OD	CL 3000 THREADED & SOCKET- WELD				CL 6000 THREADED & SOCKET- WELD				STD & XS BUTT - WELD				SCH 160 & XXS BUTT - WELD		
Inch	Inch	MM	A	B	C	E	A	B	C	E	A	B	C	E	A	B	C
MM	MM	MM	MM	MM	MM	MM	MM	MM	MM	MM	MM	MM	MM	MM	MM	MM	MM
2-1/2 12	-1-1/4 -3	13.70	39.69	59.53	36.51	39.69	39.69	59.53	36.51	39.69	33.34	53.18	36.51	39.69	39.69	58.74	36.51
2-1/2 12	-1-1/4 -3	17.10	39.69	59.53	36.51	39.69	39.69	59.53	36.51	39.69	33.34	53.18	36.51	39.69	39.69	58.74	36.51
2-1/2 12	-1-1/4 -3	21.30	39.69	59.53	36.51	39.69					34.93	54.77	36.51	39.69			
1-1/2 5 12	-1-1/4 -2 -6	21.30					47.63	69.85	44.45	48.42					46.04	69.85	44.45
1-1/2 5 12	-1-1/4 -2 -6	26.70	47.63	69.85	44.45	48.42					42.86	64.29	44.45	48.42			
2-1/2 5 12	-2 -3 -6	26.70					55.56	82.55	53.98	55.56					53.98	82.55	53.98
2-1/2 5 12	-2 -3 -6	33.40	55.56	82.55	53.98	55.56	63.50	92.87	66.68	62.71	50.01	76.2	53.98	55.56	63.50	96.84	66.68

...Continued on next page

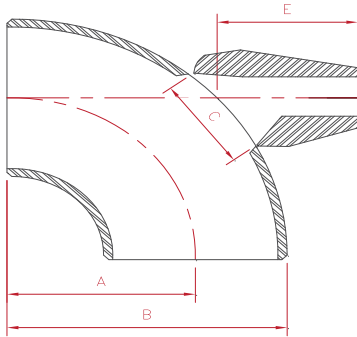
Latrolet

45° Branch Connections

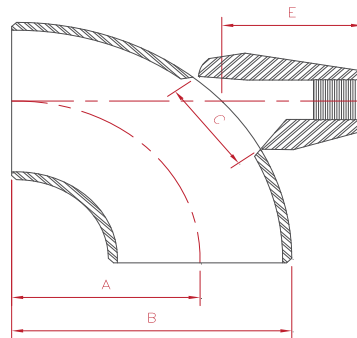
Threaded, Socket-Weld & Butt-Weld Ends

Forged (contd.)

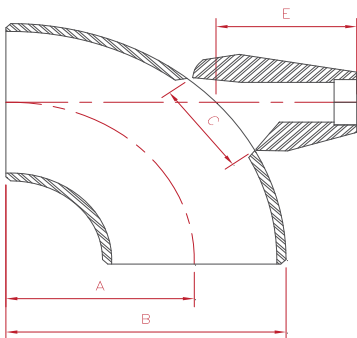
NOMINAL RUN PIPE SIZE		OUTLET SIZE NOM OD	DIMENSIONS														
			CL 3000 THREADED & SOCKET- WELD				CL 6000 THREADED & SOCKET- WELD				STD & XS BUTT - WELD				SCH 160 & XXS BUTT - WELD		
Inch	Inch	MM	A	B	C	E	A	B	C	E	A	B	C	E	A	B	C
			MM	MM	MM	MM	MM	MM	MM	MM	MM	MM	MM	MM	MM	MM	MM
2-1/2	-2																
5	-3	42.20	63.50	97.63	66.68	74.61	69.85	107.16	76.99	66.68	57.94	91.28	66.68	62.71	69.85	107.95	76.2
12	-6																
2-1/2	-2																
5	-3	48.30	69.85	107.16	76.99	66.68					62.71	100.81	76.99	66.68			
12	-6																
5	-4																
8	-6	48.30					85.73	138.11	104.78	80.17					85.73	136.53	104.78
12	-10																
5	-4																
8	-6	60.30	85.73	138.11	104.78	80.17	85.73	138.11	104.78	80.17	80.96	133.35	104.78	86.52			
12	-10																
5	-4																
8	-6	73.00									80.17	131.76	104.78	78.64			
12	-10																
ORDER TO SPECIFIC RUN PIPE SIZES	-3	88.90									96.84	158.75	126.21	96.04			
	-4	114.30									120.65	198.44	163.51	115.89			



BUTT WELDED



THREADED



SOCKET-WELD

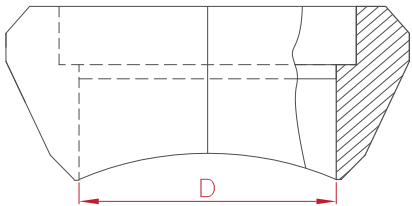
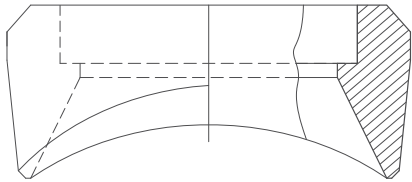
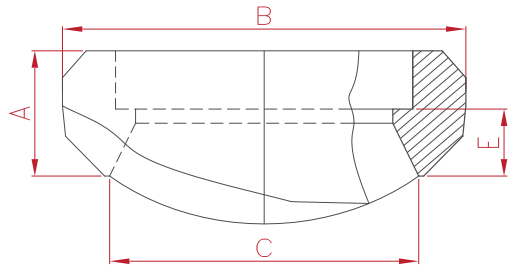
Elbolet For Elbow Outlets Threaded, Socket-Weld & Butt-Weld Ends Forged

DIMENSIONS

NOMINAL ELBOW SIZE	OUTLET SIZE NOM OD	CL 3000 THREADED & SOCKET-WELD STD. & XS BUTT-WELD		CL 6000 THREADED & SOCKET-WELD SCH.160 & XXS BUTT- WELD	
		C	E	C	E
Inches	MM	MM	MM	MM	MM
36 - 3/4	13.7	38.100	40.481	38.100	40.481
36 - 3/4	17.1	38.100	40.481	38.100	40.481
36 - 3/4	21.3	38.100	40.481	43.656	47.625
36 - 1	26.7	43.656	47.625	57.150	57.150
36 - 2	33.4	57.150	57.150	73.025	63.500
36 - 2	42.2	73.025	63.500	79.375	68.263
36 - 2	48.3	79.375	68.263	106.363	82.550
36 - 3	60.3	106.363	82.550	-	-
	73.0	106.363	82.550	-	-
	88.9	128.588	98.425	-	-
ORDER TO	114.3	168.275	122.238	-	-
SPECIFIC	168.3	238.125	165.100	-	-
ELBOW SIZES.	219.1	338.138	204.788	-	-
	273	432.594	263.525	-	-
	323.9	498.475	282.575	-	-

Sockolet Reducing & Same Size CL 3000 & CL 6000 Forged

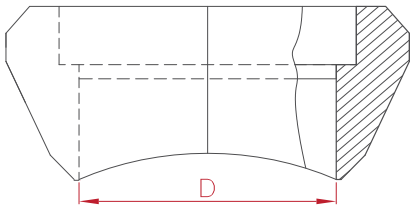
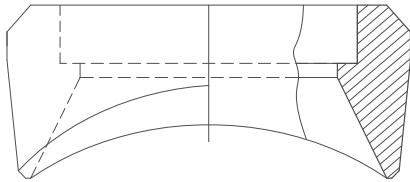
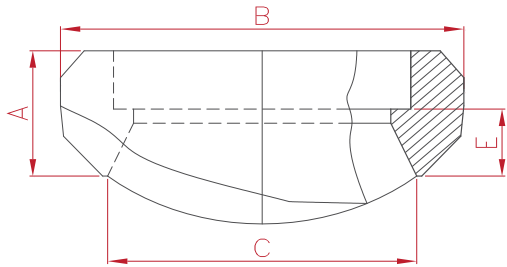
Reducing Size



REDUCING SIZE

	OUTLET SIZE	DIMENSIONS					APPX. WEIGHT
	MM	A MM	B MM	C MM	D MM	E MM	IN KG
CL 3000	10.3	19.1	25.4	15.9	6.8	7.1	0.05
	13.7	19.1	25.4	15.9	9.2	7.1	0.05
	17.1	20.6	31.8	19.1	12.5	11.1	0.09
	21.3	25.4	35.7	23.0	15.8	14.3	0.14
	26.7	27.0	43.7	29.4	20.9	14.3	0.16
	33.4	33.3	50.8	36.5	26.6	19.8	0.27
	42.2	33.3	65.1	44.5	35.1	19.1	0.39
	48.3	34.9	72.2	50.8	40.9	19.1	0.45
	60.3	38.1	88.1	65.1	52.5	20.6	0.73
	73.0	39.7	103.2	76.2	62.7	19.1	1.25
CL 6000	88.9	44.5	122.2	93.7	77.9	23.8	1.72
	101.6	54.0	132.6	101.6	90.1	25.4	1.95
	114.3	47.6	151.6	120.7	102.3	27.0	3.29
	141.3	66.7	185.7	141.3	128.2	34.1	5.44
	168.3	69.9	219.1	169.9	154.1	35.7	6.58
	21.3	31.8	43.7	19.1	11.8	22.2	0.23
	26.7	36.5	49.6	25.4	15.6	22.2	0.36
	33.4	39.7	61.9	33.3	20.7	23.8	0.59
	42.2	41.3	69.1	38.1	29.5	20.6	0.73
	48.3	42.9	82.6	49.2	34.0	22.2	0.91
60.3	52.4	102.4	69.9	42.9	30.2	2.34	

Socket Reducing & Same Size CL 3000 & CL 6000 Forged Same Size

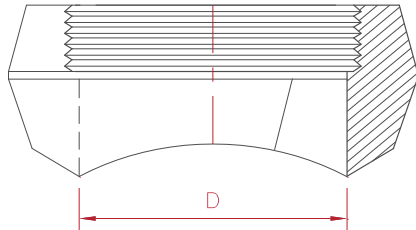
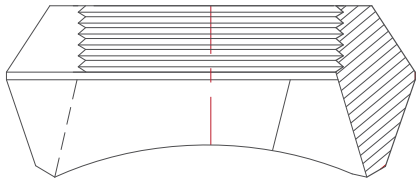
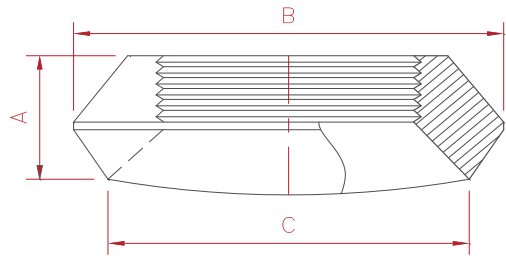


SAME SIZE

	OUTLET SIZE	DIMENSIONS					APPX. WEIGHT
		A	B	C	D	E	
	MM	MM	MM	MM	MM	MM	IN KG
CL 3000	21.30	25.40	34.93	23.81	15.80	13.49	0.07
	26.70	26.99	41.28	30.16	20.93	11.91	0.11
	33.4	33.34	50.80	36.51	26.64	18.26	0.20
	42.20	33.34	60.33	44.45	35.05	14.29	0.29
	48.30	34.93	73.03	50.80	40.89	16.67	0.39
	60.30	38.10	88.90	65.09	52.50	23.81	0.64
	73.00	39.69	103.19	76.20	62.71	19.05	1.02
	88.90	44.45	122.24	93.66	77.93	23.81	1.70
	101.60	42.86	136.53	112.71	90.12	17.46	1.95
	114.30	47.63	153.99	120.65	102.26	26.99	2.99
	141.30	61.91	184.15	133.35	128.19	25.40	4.08
	168.30	68.26	220.66	153.99	154.05	30.16	7.03

Thredolet Reducing & Same Size CL 3000 & CL 6000 Forged

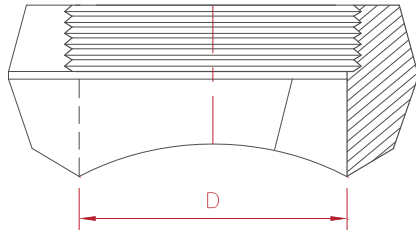
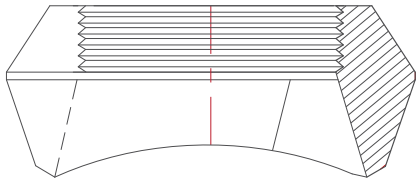
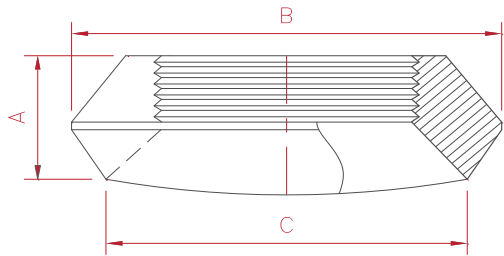
Reducing Size



	OUTLET SIZE	DIMENSIONS			APPX. WEIGHT
		A	B	C	
	MM	MM	MM	MM	IN KG
CL 3000	10.3	19.05	25.40	15.88	0.05
	13.7	19.05	25.40	15.88	0.05
	17.1	20.64	31.75	19.05	0.09
	21.30	25.40	35.72	23.81	0.11
	26.70	26.99	43.66	29.37	0.16
	33.4	33.34	50.80	36.51	0.27
	42.20	33.34	65.09	44.45	0.41
	48.30	34.93	72.23	50.80	0.45
	60.30	38.10	88.11	65.09	0.79
	73.00	46.04	103.19	76.20	1.36
	88.90	50.80	122.24	93.66	1.97
	101.60	53.98	132.56	101.60	2.61
	114.30	57.15	151.61	120.65	3.22
	141.30	66.68	185.74	141.29	5.44
168.30	69.85	219.08	169.86	6.94	
CL 6000	13.7	28.58	34.13	14.29	0.14
	17.1	28.58	34.13	14.29	0.14
	21.30	31.75	43.66	19.05	0.20
	26.70	36.51	49.61	25.40	0.34
	33.4	39.69	61.91	33.34	0.57
	42.20	41.28	69.06	38.10	0.73
	48.30	42.86	82.55	49.21	0.88
	60.30	52.39	102.39	69.85	2.27

Thredolet Reducing & Same Size CL 3000 & CL 6000 Forged

Same Size



	OUTLET SIZE	DIMENSIONS				APPX. WEIGHT
	MM	A MM	B MM	C MM	D MM	IN KG
CL 3000	21.30	25.40	34.93	23.81	15.88	0.07
	26.70	26.99	41.28	30.16	20.64	0.11
	33.4	33.34	50.80	36.51	26.99	0.20
	42.20	33.34	60.33	44.45	34.93	0.32
	48.30	34.93	73.03	50.80	41.28	0.41
	60.30	38.10	88.90	65.09	52.39	0.64
	73.00	48.42	103.19	76.20	63.50	1.13
	88.90	50.80	122.24	93.66	77.79	1.95
	101.60	53.98	136.53	112.71	90.49	2.04
	114.30	57.15	153.99	120.65	103.19	3.08
	141.30	61.91	184.15	133.35	133.35	4.17
168.30	69.85	220.66	146.05	146.05	7.12	



Please contact
sales@f-f.co.in
to discuss your requirements.

Flash Forge Pvt Ltd

Plot 237, D-Block, Autonagar Industrial Area,
Visakhapatnam - 530 012,
Andhra Pradesh,
India